

CE
ISO9001:2000

4V300 Series

Solenoid Valve, Air Piloted Valve



Valve

4V100

4V200

4V300

4V400

Manifold

3V1

JEL

JZF

MVSD

VF, VZ

BM, PU, AM

Diaphragm

Coil

2V

2W

2W(Big)

2P

2L

VX

PU

PU225

2Q

JEL5404

JEL6213

Pulse

JEL, JZF

4H

TSV86

MPV

4HV

HV, K

4R

4F

MSV

JM

ASC, RE

QE, QEA

ST

HSV

Ordering Code

4V	3	10	10	B	AC220V	W	F
Specification	Series Code	Coil and Type	Port size	Connection and Initial status	Standard Voltage	Wiring	Joint
4V: 5/2 (3) way solenoid valve 4A: 5/2 (3) way air pilot valve 3V: 3/2 way solenoid valve 3A: 3/2 way air pilot valve	300 Series	10: Single coil 20: Double coil 30C: Mid-position closed 30E: Mid-position vented 30P: Mid-position open	08: 1/4" 10: 3/8"	Blank: Threaded B: Sub-plated mounted (for 5/2;5/3 way only) NC: 3/2 way normally closed NO: 3/2 way normally open	DC12V DC24V AC24V 50Hz/60Hz AC110V 50Hz/60Hz AC220V 50Hz/60Hz AC380V 50Hz/60Hz	Blank: Without light indicator LD: Brown with light indicator LD1: White with light indicator W: Lead wire	1 F-20 F

Specification

Model	4V310-08	4V320-08	4V330C-08	4V330E-08	4V330P-08	4V310-10	4V320-10	4V330C-10	4V330E-10	4V330P-10
Valve Type	5/2 way		5/3 way			5/2 way		5/3 way		
Effective Cross Section Area	25 mm ² (CV = 1.40)		18 mm ² (CV = 1.00)			30 mm ² (CV = 1.68)		18 mm ² (CV = 1.00)		
Model	3V310-08	3V320-08	3A310-08	3A320-08	3V310-10	3V320-10	3A310-10	3A320-10		
Valve Type	3/2 way									
Effective Cross Section Area	25 mm ² (CV = 1.40)					30 mm ² (CV = 1.68)				
Port Size	Supply, Outlet, Exhaust Port = G 1/4"					Supply, Outlet = G 3/8" Exhaust Port = G 1/4"				
Working Medium	40 Micron Filtered Air									
Operation	Internal piloted									
Working-pressure	0.15 ~ 0.8 MPa									
Max. Test Pressure	1.2 MPa									
Ambient Temperature	5 ~ 50 °C									
Operating Voltage Tolerance	± 10%									
Power Consumption	AC: 5.5 VA DC: 4.8 W									
Connector Protection	F Class, IP 65									
Wiring/Connector	Cable / Lead Wire or DIN Connector									
Switching Frequency	5 Cycles / Sec.									
Response Time	0.05 Sec.									

4V300 Series

Solenoid Valve, Air Piloted Valve

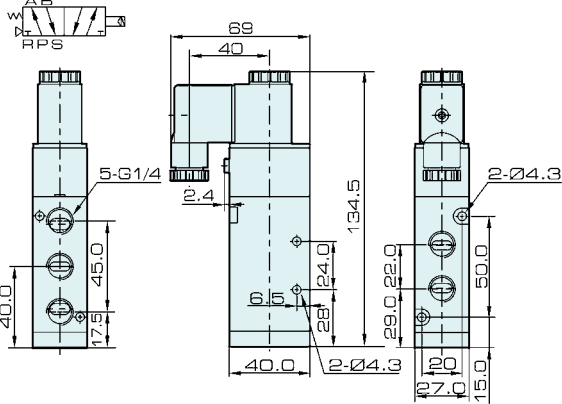


The way to automation

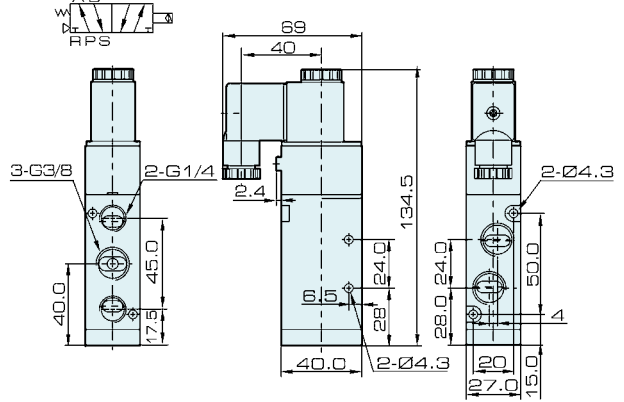
Overall Dimension

- Valve
- 4V100
- 4V200
- 4V300
- 4V400
- Manifold
- 3V1
- JEL
- JZF
- MVSD
- VF, VZ
- BM, PU, AM
- Diaphragm
- Coil
- 2V
- 2W
- 2W(Big)
- 2P
- 2L
- VX
- PU
- PU225
- 2Q
- JEL5404
- JEL6213
- Pulse
- JELJZF
- 4H
- TSV
- MPV
- 4HV
- HV, K
- 4R
- 4F
- MSV
- JM
- ASC, RE
- QE, QEA
- ST
- HSV

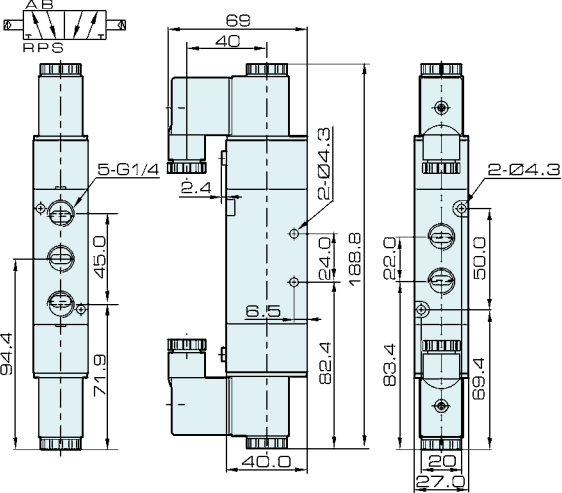
4V310-08



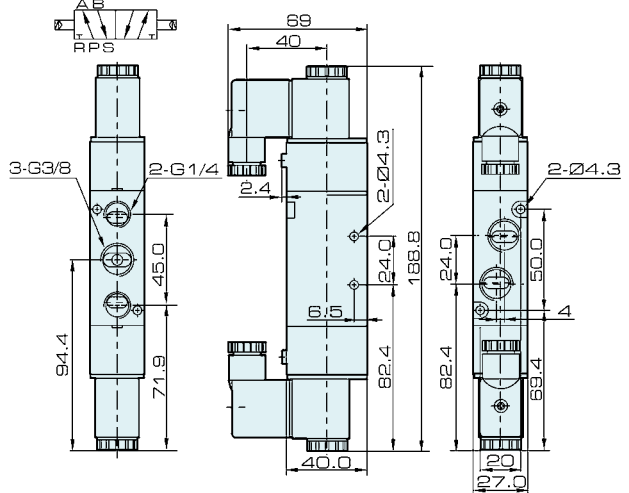
4V310-10



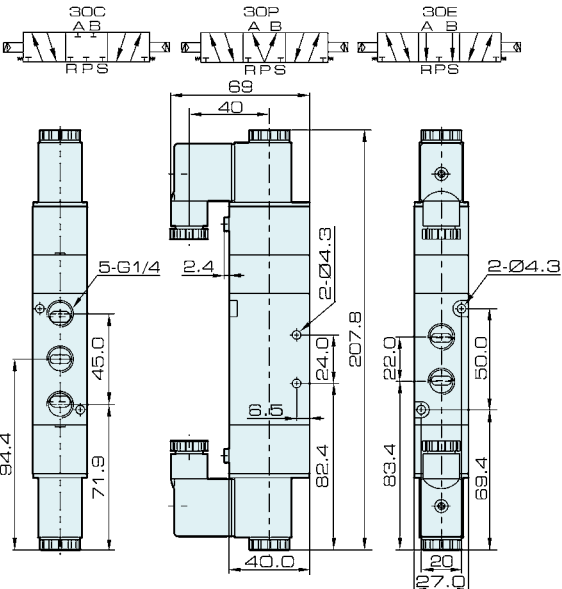
4V320-08



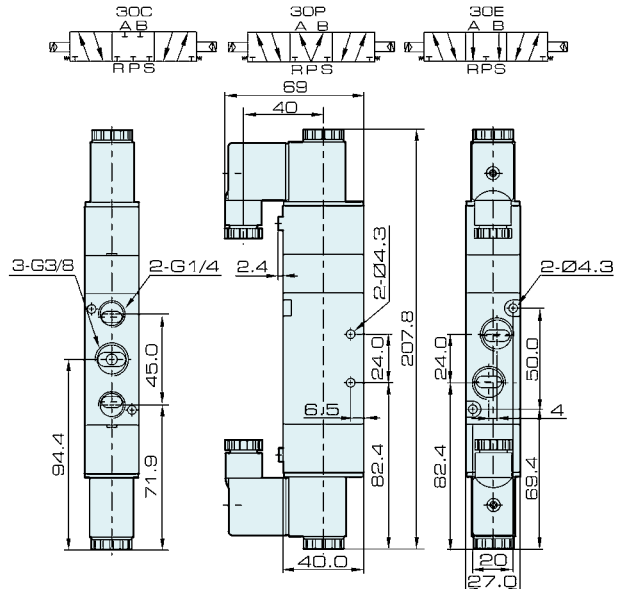
4V320-10



4V330-08

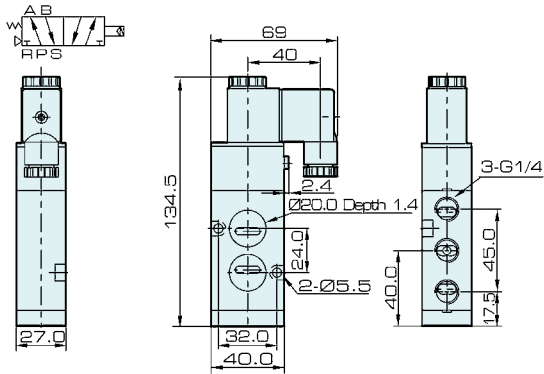


4V330-10

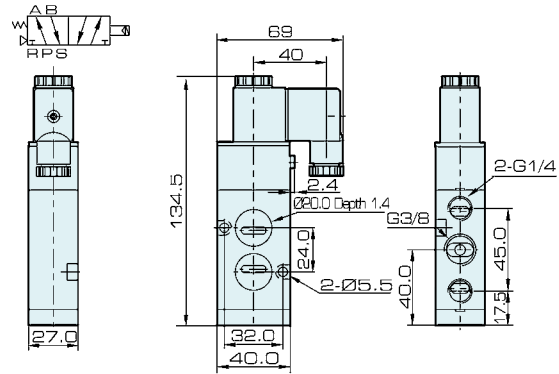


Overall Dimension

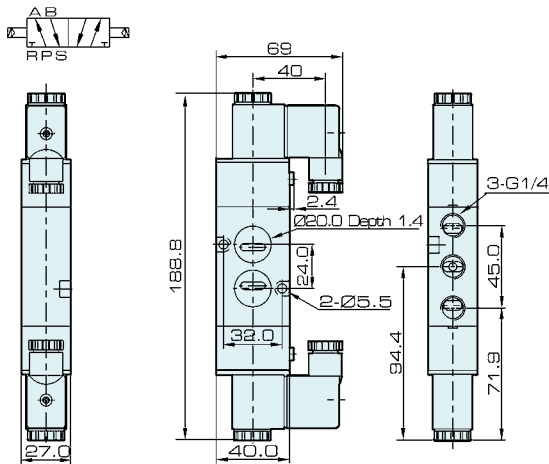
4V310-08B



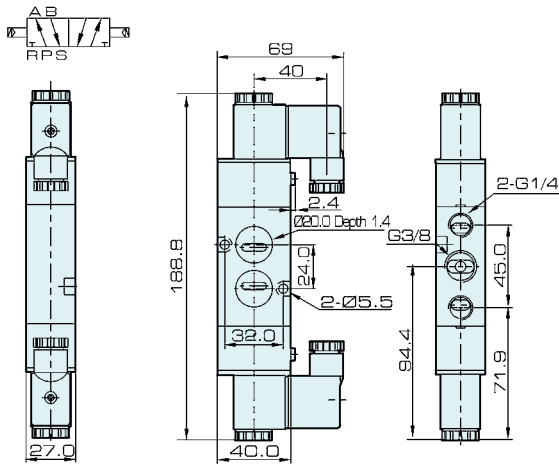
4V310-10B



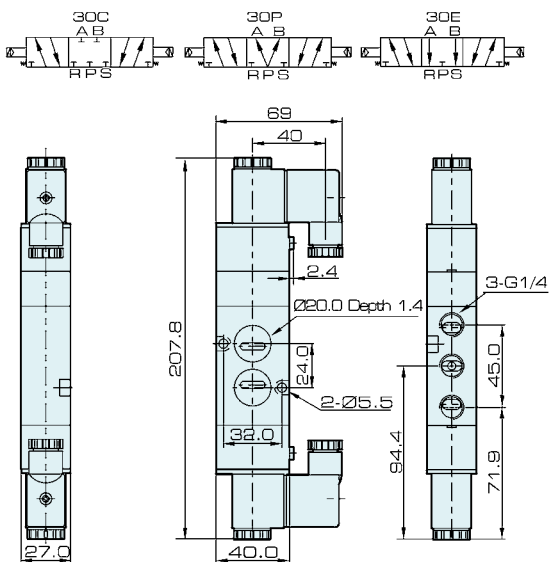
4V320-08B



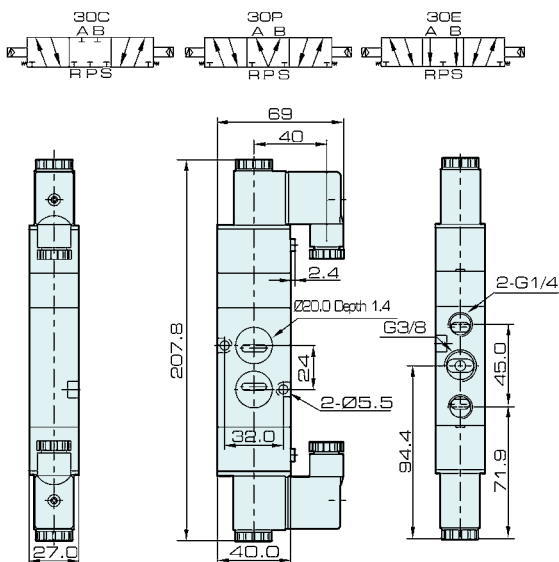
4V320-10B



4V330-08B



4V330-10B



Valve

4V100

4V200

4V300

4V400

Manifold

3V1

JEL

JZF

MVSD

VF, VZ

BM, PU, AM

Diaphragm

Coil

2V

2W

2W(Big)

2P

2L

VX

PU

PU225

2Q

JEL5404

JEL6213

Pulse

JEL, JZF

4H

TSV86

MPV

4HV

HV, K

4R

4F

MSV

JM

ASC, RE

QE, QEA

ST

HSV

4V300 Series

Solenoid Valve, Air Piloted Valve

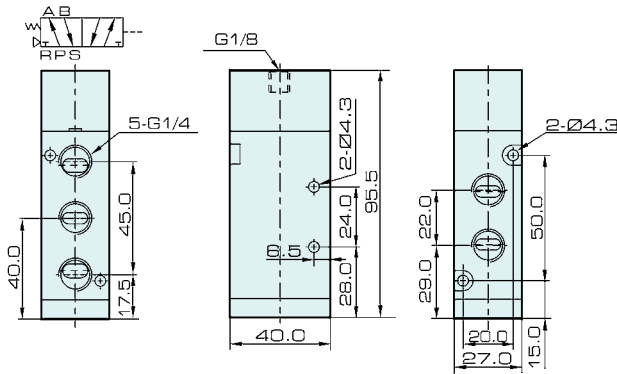


The way to automation

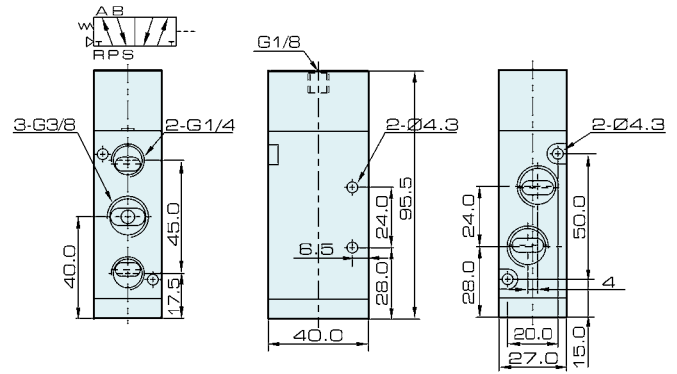
Overall Dimension

- Valve
- 4V100
- 4V200
- 4V300
- 4V400
- Manifold
- 3V1
- JEL
- JZF
- MVSD
- VF, VZ
- BM, PU, AM
- Diaphragm
- Coil
- 2V
- 2W
- 2W(Big)
- 2P
- 2L
- VX
- PU
- PU225
- 2Q
- JEL5404
- JEL6213
- Pulse
- JELJZF
- 4H
- TSV
- MPV
- 4HV
- HV, K
- 4R
- 4F
- MSV
- JM
- ASC, RE
- QE, QEA
- ST
- HSV

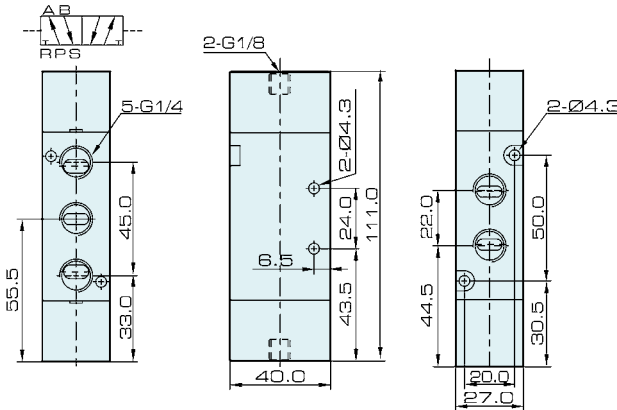
4A310-08



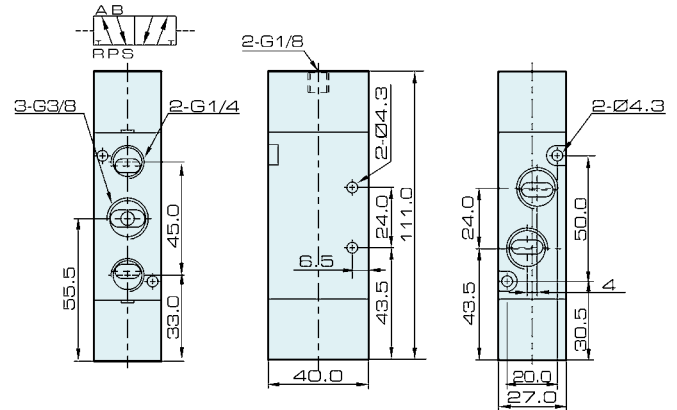
4A310-10



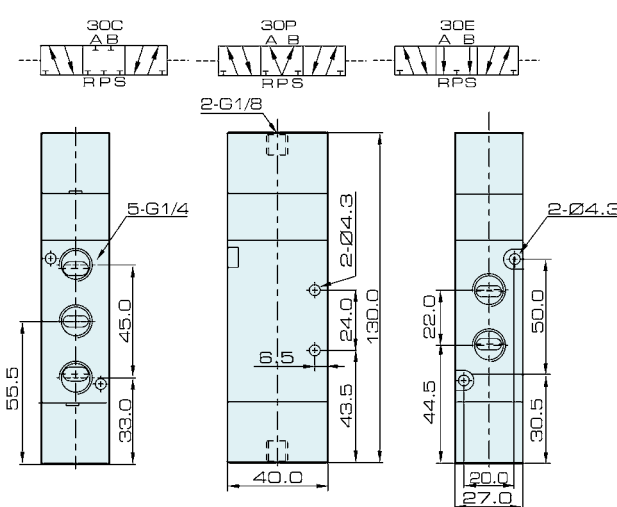
4A320-08



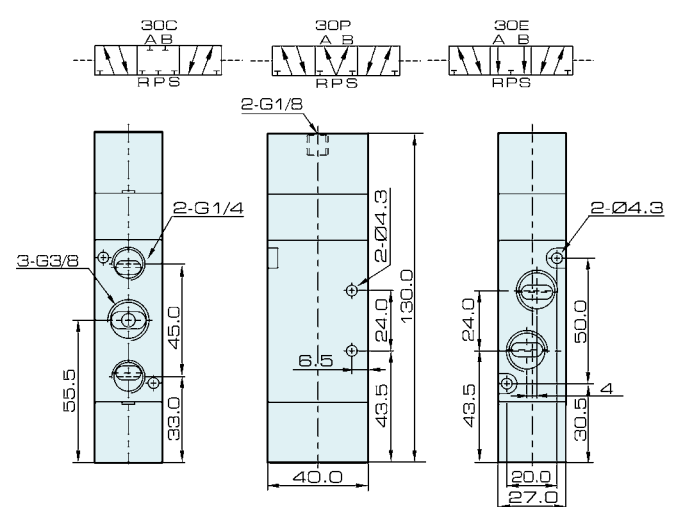
4A320-10



4A330-08

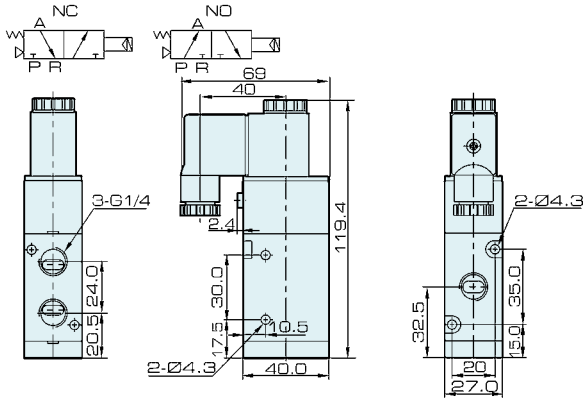


4A330-10

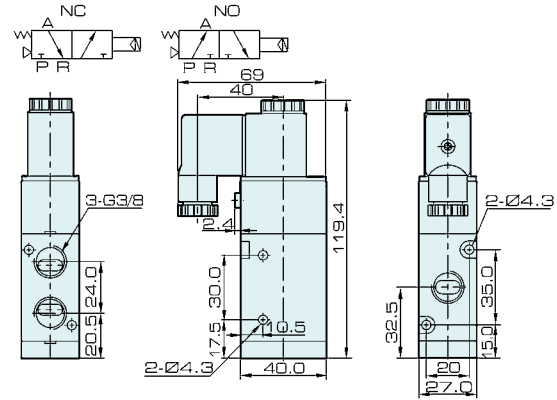


Overall Dimension

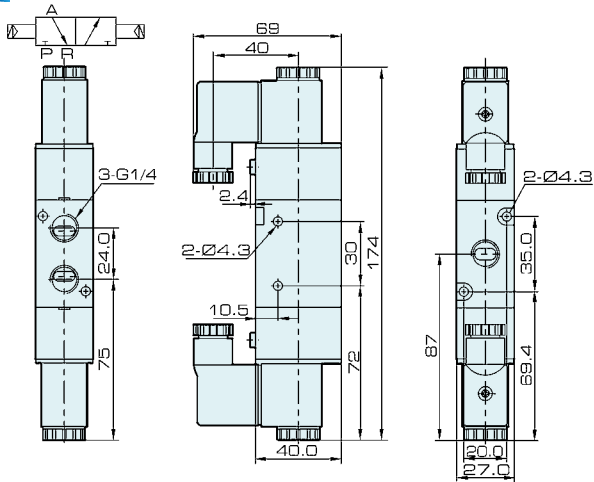
3V310-08



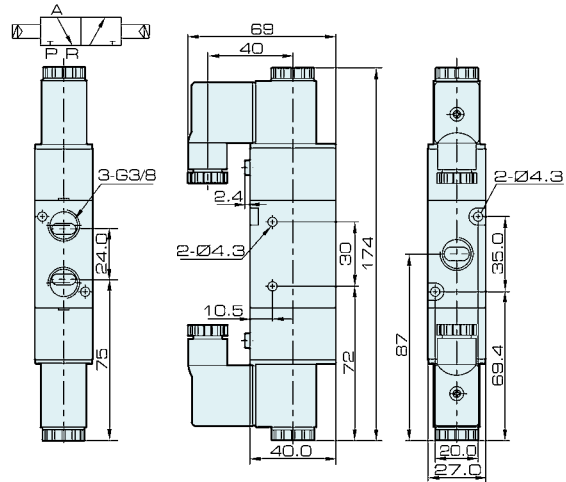
3V310-10



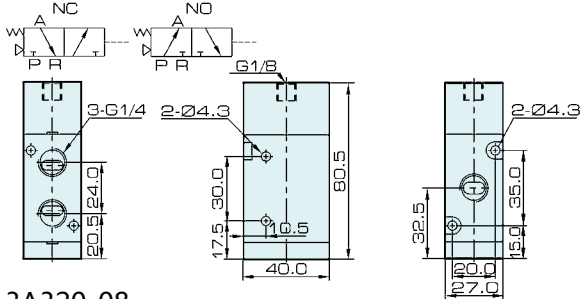
3V320-08



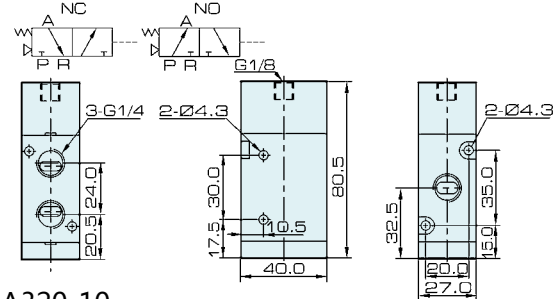
3V320-10



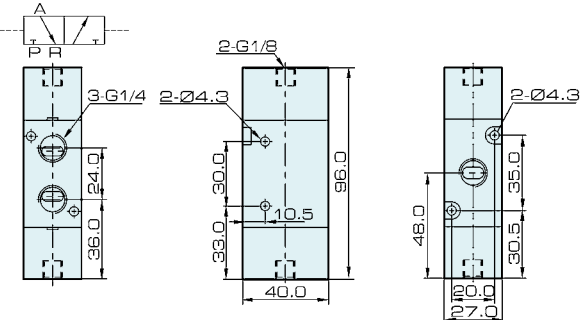
3A310-08



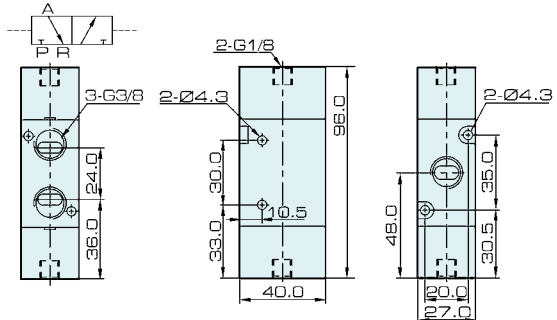
3A310-10



3A320-08



3A320-10



Valve
4V100
4V200
4V300
4V400
Manifold
3V1
JEL
JZF
MVSD
VF, VZ
BM, PU, AM
Diaphragm
Coil
2V
2W
2W(Big)
2P
2L
VX
PU
PU225
2Q
JEL5404
JEL6213
Pulse
JEL, JZF
4H
TSV86
MPV
4HV
HV, K
4R
4F
MSV
JM
ASC, RE
QE, QEA
ST
HSV