

AC, BC Series

Three-point Combination
(F.R.L. Combination)



The way to automation

FRL

AC, BC

AFC, BFC

AF, BF

AR, BR

AFR, BFR

AL, BL

JAC

JAF

JAR

JAW



JAL

PTH

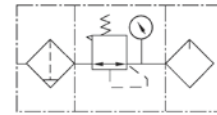
JAD



Ordering Code

BC	3000	D
Model	Port size	Drain Type
AC: Small 	1500: G 1/8" 2000: G 1/4" 3000: G 3/8"	Blank: Semi-automatic D: Automatic
BC: Medium 	4000: G 1/2"	

Symbol



Specification

Model	AC1500	AC2000	BC2000	BC3000	BC4000	
Operating Fluid	Air					
Port Size	G 1/8"	G 1/4"	G 1/4"	G 3/8"	G 1/2"	
Filter Precision	40 μ					
Range of Adjustable Pressure	0.05 ~ 0.85 MPa					
Max. Adjustable Pressure	0.95 MPa					
Ensured Pressure Resistance	1.5 MPa					
Operating Temperature Range	5 ~ 60 °C					
Capacity of Filter Cup	15 cc		60 cc			
Capacity of oil Cup	25 cc		90 cc			
Suggested Lube	ISO VG 32 or Same Grade Oil					
Weight	0.7 KG		0.9 KG			
Material	Body	Aluminum Die-casting Forming				
	Container Cup	PC				
	Protective Cover	-				
Composed Elements	Filter Regulator	AF1500	AF2000	BF2000	BF3000	BF4000
	Regulator	AR1500	AR2000	BR2000	BR3000	BR4000
	Lubricator	AL1500	AL2000	BL2000	BL3000	BL4000

AC, BC Series AFC, BFC Series



The way to automation

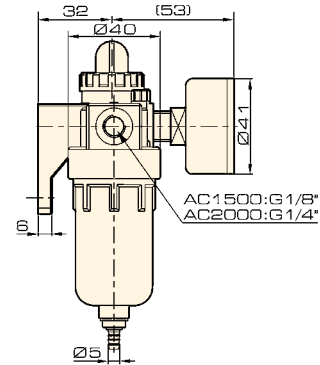
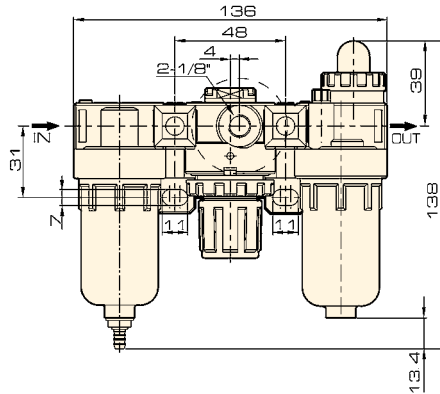
AC, BC Series

Three-point Combination (F.R.L. Combination)

- FRL
- AC, BC
- AFC, BFC
- AF, BF
- AR, BR
- AFR, BFR
- AL, BL
- JAC
- JAF
- JAR
- JAW
- JAL
- PTH
- JAD

Overall Dimension

AC



BC

